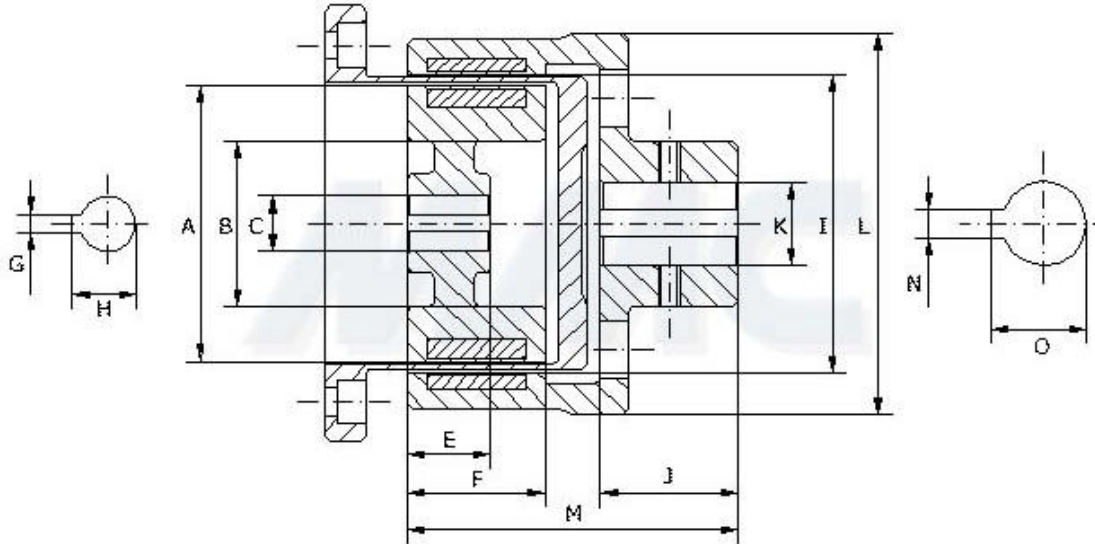


MAGNETIC PUMP COUPLING



* The transmissible torque is from 1N.m to 320NM.
* The transmissible strength is from 1N to 500N.

Technical and Assembly Data

| Type | Torque max (NM) | Inner Rotor (mm) | | | | | | | Outer Rotor (mm) | | | | | | |
|------|-----------------|------------------|-----|----|----|-----|----|------|------------------|----|----|-----|-----|----|------|
| | | A | B | C | E | F | G | H | I | J | K | L | M | N | O |
| FCL | 3 | 42 | 20 | 10 | 15 | 25 | 3 | 11.2 | 49 | 30 | 18 | 68 | 75 | 6 | 21.8 |
| FCL | 8 | 58 | 26 | 12 | 18 | 35 | 4 | 13.7 | 66 | 30 | 18 | 90 | 85 | 6 | 21.8 |
| FCL | 16 | 58 | 26 | 14 | 20 | 62 | 4 | 15.8 | 66 | 40 | 19 | 90 | 120 | 6 | 22.8 |
| FCL | 22 | 88 | 50 | 20 | 30 | 50 | 6 | 22.8 | 97 | 50 | 24 | 122 | 120 | 8 | 27.3 |
| FCL | 30 | 88 | 50 | 24 | 30 | 62 | 6 | 26.8 | 97 | 50 | 28 | 122 | 130 | 8 | 31.3 |
| FCL | 50 | 122 | 80 | 30 | 30 | 50 | 8 | 33.3 | 132 | 60 | 38 | 160 | 130 | 10 | 41.8 |
| FCL | 65 | 122 | 80 | 30 | 40 | 65 | 8 | 33.3 | 132 | 60 | 38 | 160 | 145 | 10 | 41.8 |
| FCL | 80 | 142 | 100 | 35 | 40 | 65 | 10 | 38.8 | 152 | 80 | 42 | 180 | 165 | 12 | 46.5 |
| FCL | 110 | 142 | 100 | 35 | 40 | 80 | 10 | 38.8 | 152 | 80 | 42 | 180 | 180 | 12 | 46.5 |
| FCL | 140 | 142 | 100 | 40 | 40 | 110 | 12 | 43.8 | 152 | 80 | 48 | 180 | 210 | 14 | 52.3 |

1. Air gap, $g = 1/2 (I - A)$, can be designed per customers' requirements.
2. Working temperature: NdFeB: < 140°C, SmCo2:17: < 280°C.
3. The inertia balance grade for the inner and outer rotor is 6.3 G.
4. The drive couplings can be designed and manufactured to meet customers' requirements